

# T1

Meeting Chair



okamura



# T1

## Meeting Chair

### Simple is beautiful. Simple is versatile.

Simple, and yet chic; The T1 is an attractive choice for every meeting's use. Its beautiful design unites a comfortable functionality and range of possibilities. With a cantilever structure and mesh backrest, T1 conforms to the shape of your body. Comfort and style truly come together in this chair.

**Model No. :** 81T1AA-FX50

### Materials

**Leg frame :** Steel pipe in chrome finish

**Backrest shell :**

Engineering plastic(polyamide)

**Backrest mesh :** Polyester

**Seat :** Urethane foam cushion with polyester upholstery

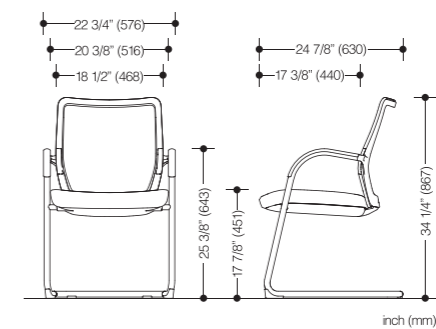
**Arm pad :** Polypropylene

**Standards :** EN13761:2002

### Detail

22 3/4"W × 24 7/8"D × 17 7/8"SH+34 1/4"H  
(576W × 630D × 451SH+867H)

**Weight :** 9.5kg



### Color

**Black / FX50**  
(Seat:FX42 + Back:FX48)



# THANK YOU !!!



Channel Partners:

B-122, Sector-67, Noida -201301, India

Mobile: +91 9818797744

Email: [sales@indoinnovations.com](mailto:sales@indoinnovations.com)

Website: [www.indoinnovations.com](http://www.indoinnovations.com)